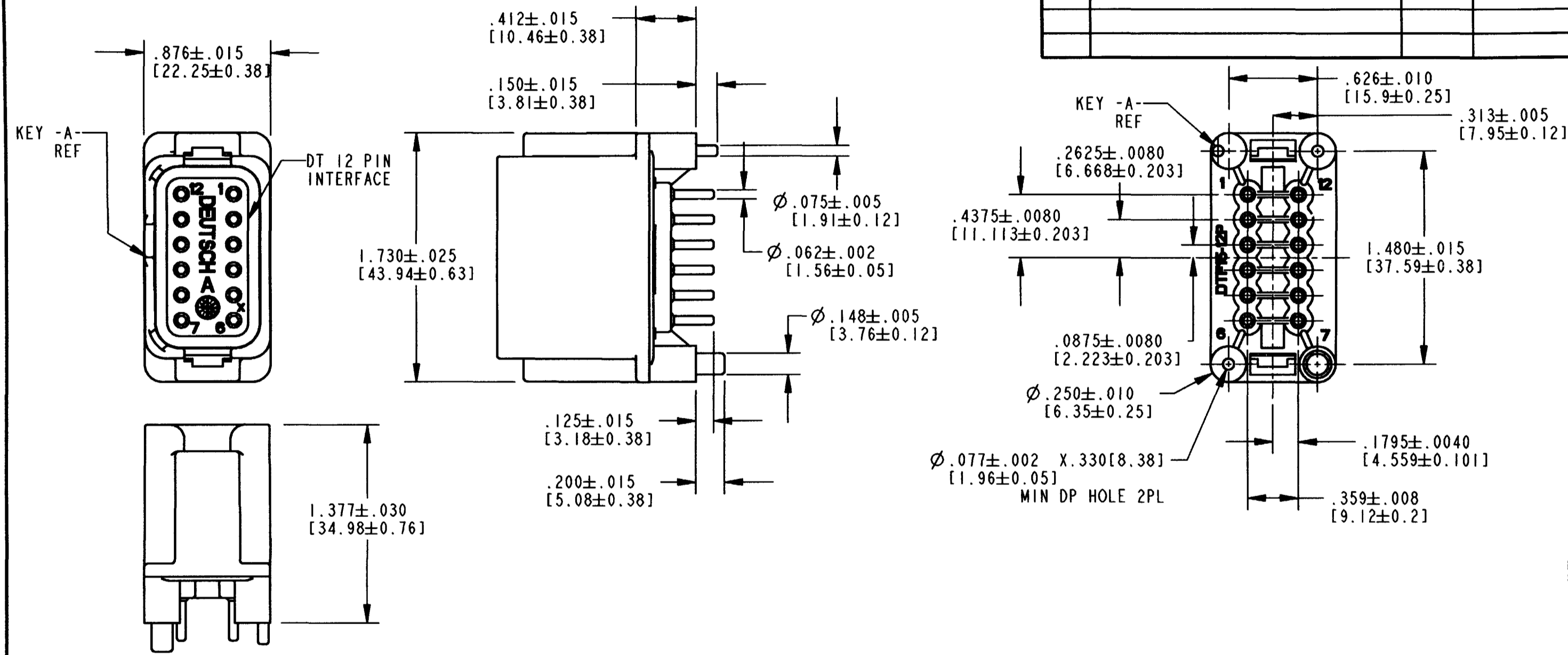


REV  
NC DTF15-12P\*-G003

REVISIONS			
SYM	DESCRIPTION	DATE	APPROVED
NC	NEW RELEASE PER E.O. P18520	3/22/14	<i>M. Gonzalez</i>



- THIS PART MATES WITH DT06-12S\*-\*\*\*\* AND WEDGE W12S, WHERE \* = A, B, C, D KEY AND \*\*\*\* = ALL MODIFICATIONS. (CONSULT FACTORY FOR MODIFICATIONS).
- CONNECTOR TO BE POTTED IN PLACE. POTTING DEPTH TO BE .600 [15.24] MAX FROM PCB.
- ALL DIMENSIONS, UNLESS OTHERWISE SPECIFIED, TO HAVE A TOLERANCE OF ±.025 [±.63].

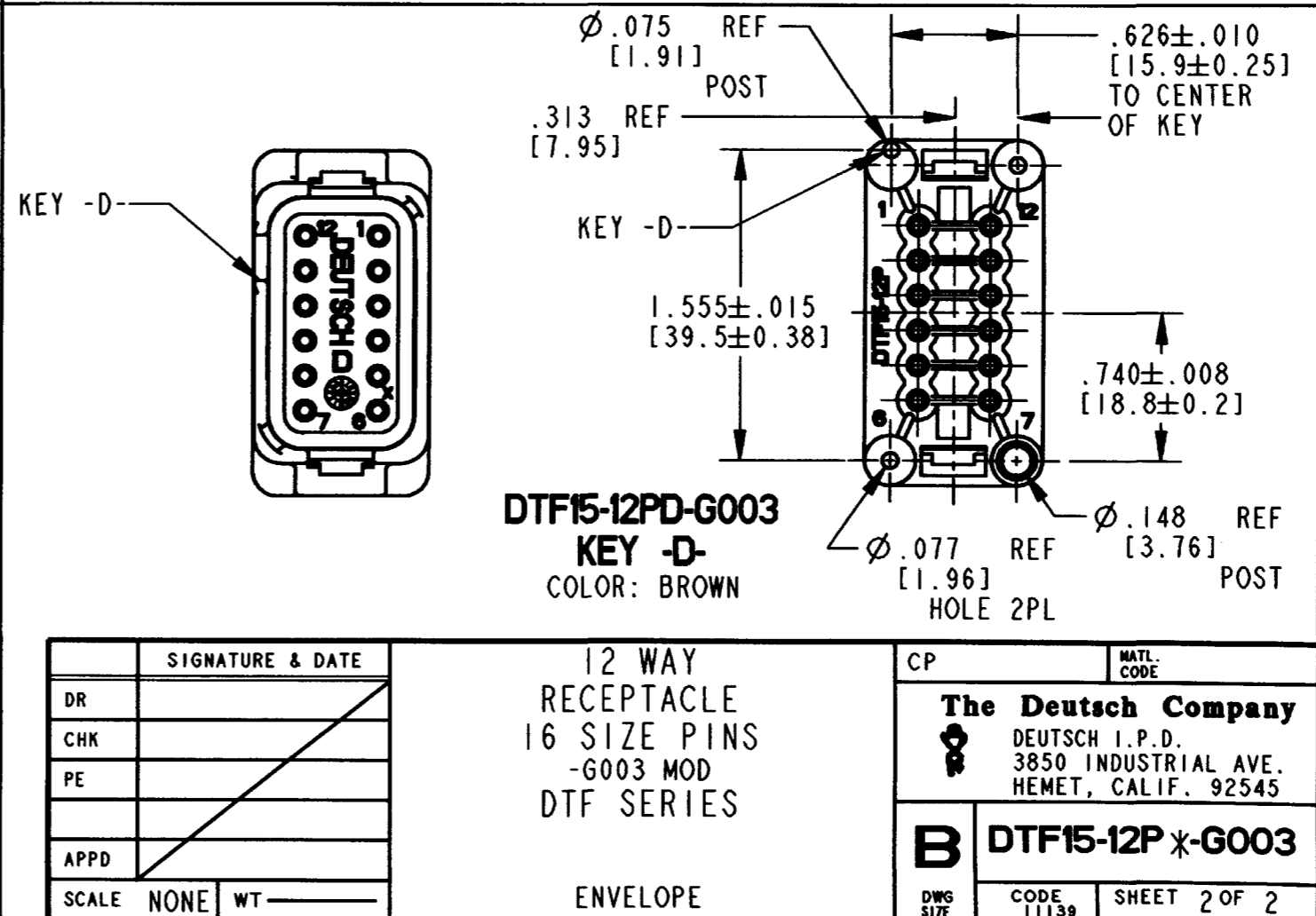
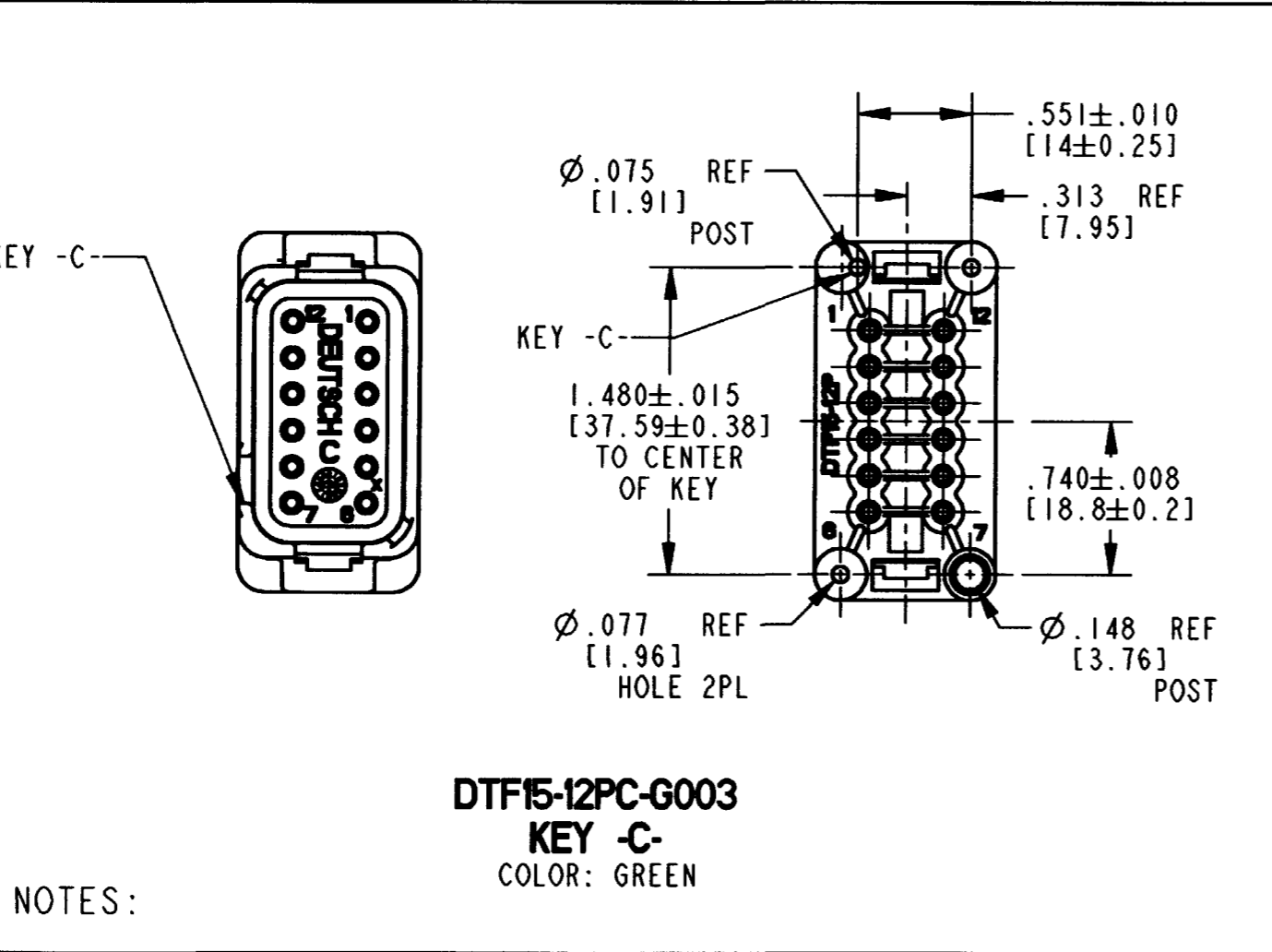
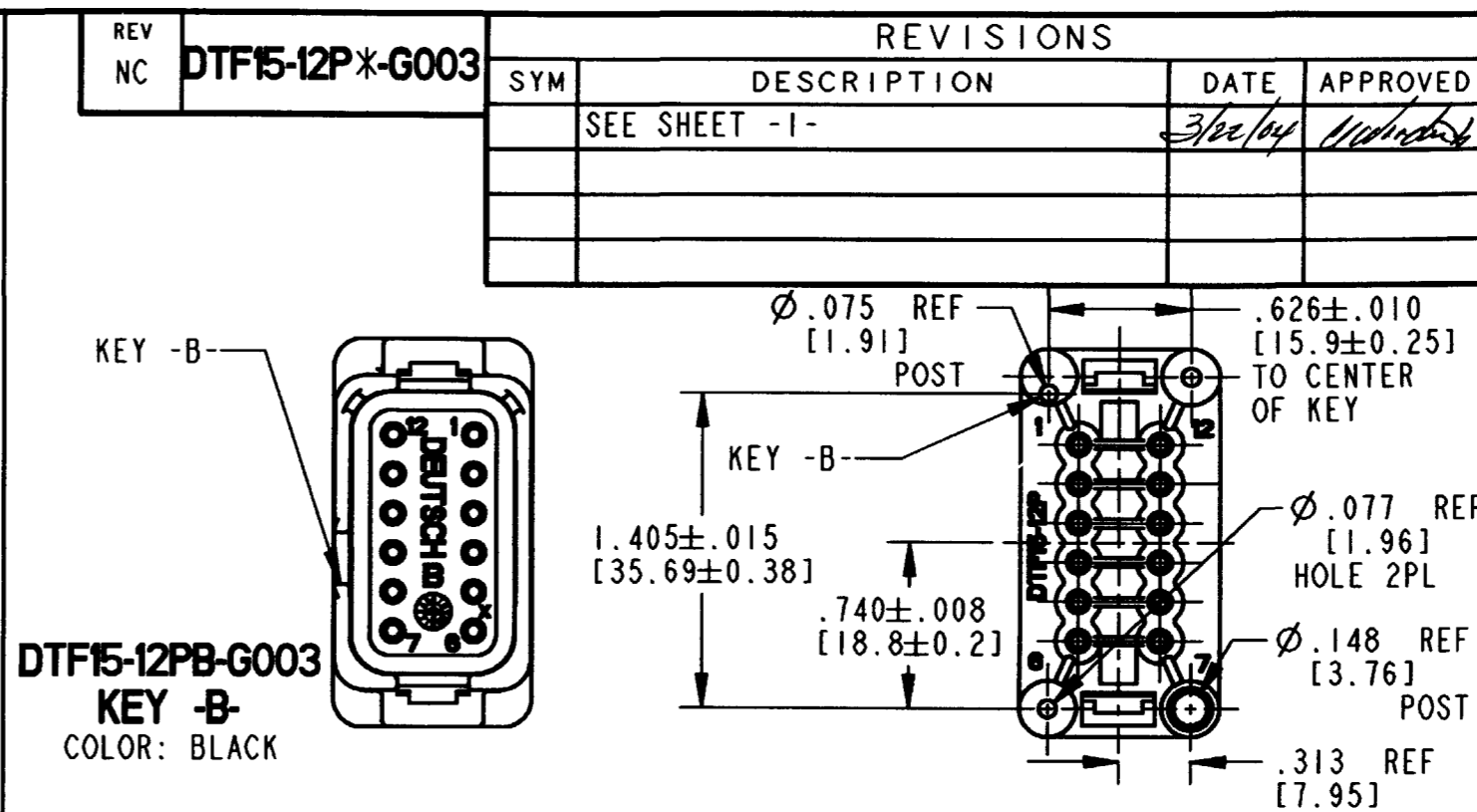
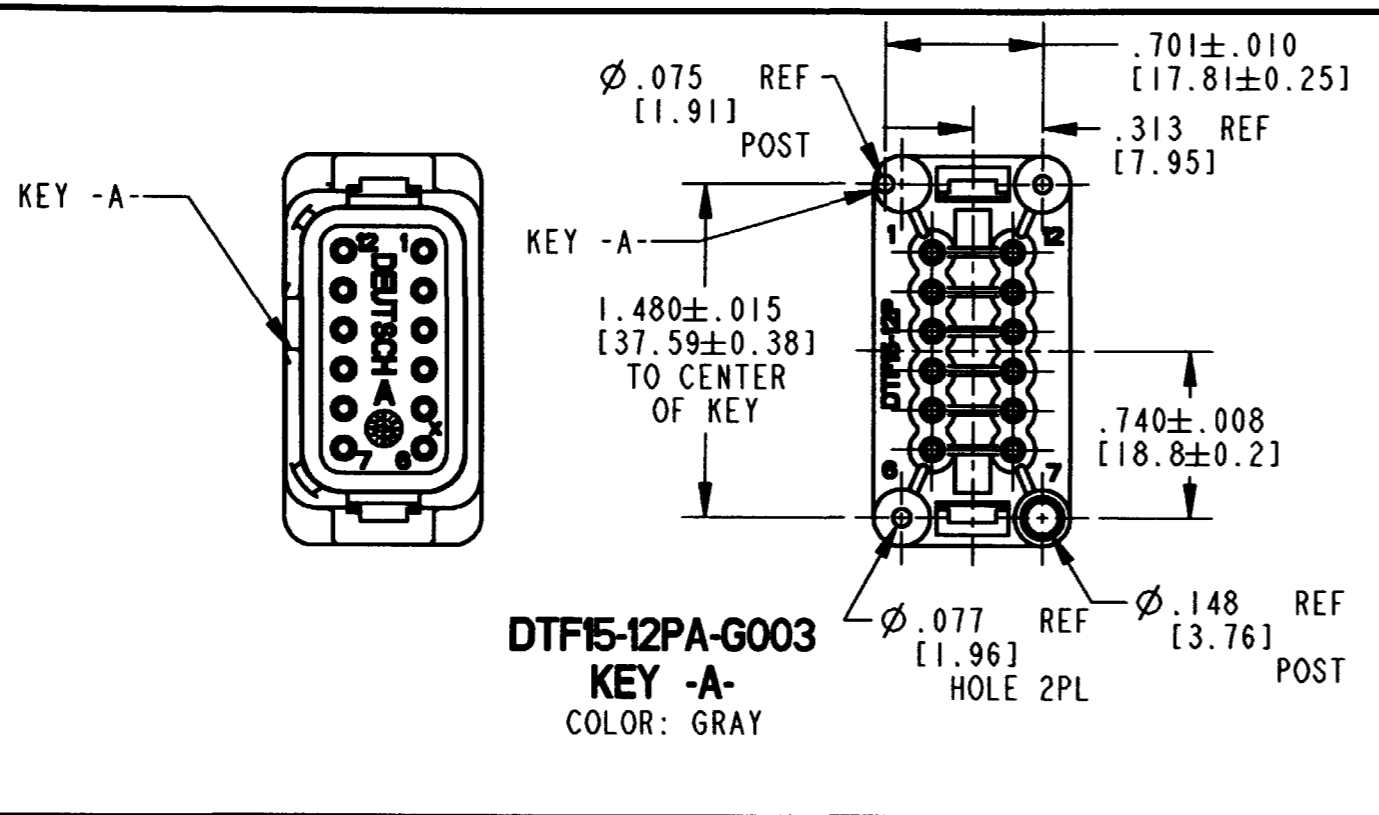
5. THESE PARTS CONTAIN SELECTIVELY GOLD PLATED PINS. THE INTERFACE SIDE IS GOLD PLATED. THE PCB SIDE IS TIN/LEAD PLATED.

NOTES: 1. ALL DIMENSIONS ARE IN INCHES [mm].

SIGNATURE & DATE	
DR	M. GONZALEZ 3/11/04
CHK	<i>MW</i>
PE	<i>Maria Cortez 7/1/04</i>
APPD	<i>M. Gonzalez 3/22/14</i>
SCALE	NONE WT

12 WAY  
RECEPTACLE  
16 SIZE PINS  
-G003 MOD  
DTF SERIES  
  
ENVELOPE

CP	MATL. CODE
<b>The Deutsch Company</b> DEUTSCH I.P.D. 3850 INDUSTRIAL AVE. HEMET, CALIF. 92545	
<b>B</b> DTF15-12P*-G003	
DWG SIZE	CODE 11139 SHEET 1 OF 2



NOTES:

SIGNATURE & DATE	
DR	/
CHK	/
PE	/
APPD	/
SCALE	NONE WT

12 WAY  
RECEPTACLE  
16 SIZE PINS  
-G003 MOD  
DTF SERIES

ENVELOPE

CP	MATL. CODE
<b>The Deutsch Company</b>	
DEUTSCH I.P.D. 3850 INDUSTRIAL AVE. HEMET, CALIF. 92545	
<b>B</b>	<b>DTF15-12P*-G003</b>
DWG SIZE	CODE 11139 SHEET 2 OF 2